

D5290/SA

SIL3 Relay Out Module for 10 A NE Loads

The D5290/SA is a relay module suitable for switching safety related circuits, up to SIL 3 level, for high risk industries. It provides isolation between input and output contacts. It makes available two NO contacts for Normally Energized (NE) loads, in order to disconnect the load on both supply lines, and a NC contact for service purpose. Compatibility with specific DO cards with pulse testing needs to be verified. This relay module is not suitable for low-current consumption applications (system-to-system signalling, driving LEDs, etc.).

FEATURES

- SIL 3 / SC 3 for NE loads with NE driver
- Up to 10 A functional / 16 A inrush current
- Load disconnection on both supply lines available
- Service contact available
- Input/Output isolation

ORDERING INFORMATION

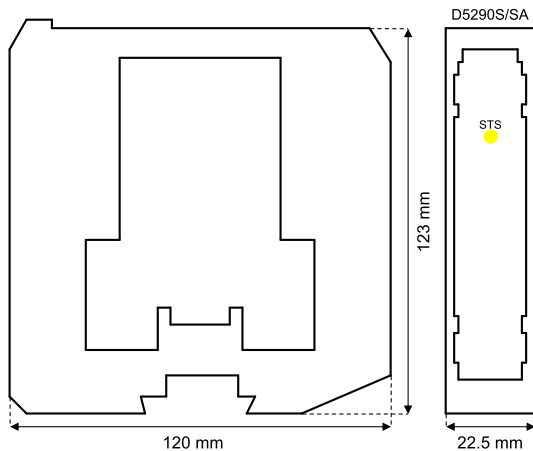
Ordering codes

D5290S/SA: 1 channel

Accessories

DIN-Rail stopper MCHP196.

OVERALL DIMENSIONS



TECHNICAL DATA

Input

24 Vdc nom (21.6 to 27.6 Vdc), reverse polarity protected. Relay coils are internally protected with suppressor diodes.

Current consumption: 40 mA @ 24 Vdc, typical.

Power dissipation: 1.0 W @ 24 Vdc, typical.

Output

1 voltage free SPDT relay contact identified with outputs: Out 1 (NO contact) terminals 13-21 and Service Load Out (NC contact) terminals 13-15; 1 voltage free SPST relay contact identified with output Out 2 (NO contact) terminals 14-22. Terminals 13-21 (Out 1) and 14-22 (Out 2) are open when relay is de-energized, closed in energized relay condition. Service load output (not SIL) at terminals 13-15 is normally close when relay is de-energized, open in energized relay condition.

Contact material: Ag Alloy (Cd free) or AgSnO₂.

Contact rating: 10 A 250 Vac 2500 VA, 10 A 250 Vdc 300 W (resistive load).

Contact inrush current: 16 A @ 24 Vdc, 250 Vac.

DC and AC load breaking capacity: refer to Instruction Manual.

Mechanical / electrical life: 10 * 10⁶ / 5 * 10⁴ operation, typical.

Operate / release time: 8 ms / 8 ms, typical.

Isolation

Input/All Outs 2.5 kV; Out 1/Out 2 500 V.

Environmental conditions

Operating temperature: temperature limits -40 to +70 °C.

Storage temperature: temperature limits -45 to +80 °C.

Mounting

DIN-Rail 35 mm, or on custom Term. Board.

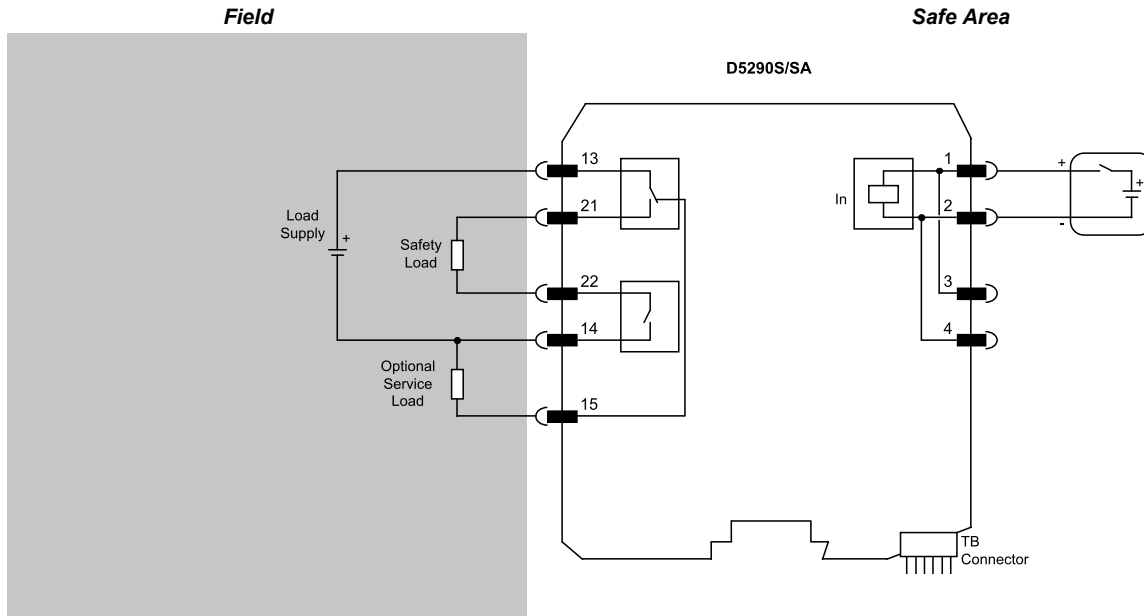
Weight: about 150 g.

Connection: by polarized plug-in disconnect screw terminal blocks to accommodate terminations up to 2.5 mm² (13 AWG).

Dimensions: Width 22.5 mm, Depth 123 mm, Height 120 mm.

FUNCTION DIAGRAM

Additional installation diagrams may be found in Instruction Manual.



Functional Safety Management Certification:
GM International is certified to conform to IEC61508:2010 part 1 clauses 5-6 for safety related systems up to and included SIL3. In addition, GM International products have been granted I.S. certificates from the most credited Notified Bodies in the world.

Data specified in this document are merely descriptive of the products and should be integrated with relevant technical specifications. Our products are in constant development and the information presented herein refers to the time of document issue. No statements concerning a certain condition or suitability for a certain application can be derived from our information. The information given does not release the user from the obligation of own judgment and verification. Terms & Conditions can be found at our website. For more information refer to instruction manual.