

NEW Generation Load Cells

Compression Load Cell DLC (DLC-Ex)



Special Features

- NEW compression load cell with integrated lift-off protection (Patent Pending)
- EHEDG compliant hygienic (aseptic) design without gaps or edges for easy cleaning to minimize the risk of bacteria growth
- Developed and manufactured in Denmark
- Low profile and hygienic design
- High tolerance of up to 1000% overload
- Robust capacitive technology
- Hermetically sealed to IP68
- Electropolished stainless steel 1.4542 (17-4 PH)
- Laser welded with Duplex 1.4462 stainless steel
- ATEX and IECEx certified (Zone 1, 2, 21, 22)
- Easy mechanical and electrical installation
- High accuracy, High resolution
- Capacity (Emax): 50, 100, 150, 250, 500, 1000, 1500, 2000, 3000, 4000, 5000kg
- Accuracy: Industrial 0.10%, Precision 0.05%, High Precision 0.025%
- Load cell cable length up to 100meters
- Load cell calibration independent of cable length
- Load cell cable replaceable on-site
- Withstands welding voltages and ESD
- Can be used in both ATEX / IECEx and non-ATEX installations
- Can be supplied with Mud resistant and Halogen free cables for offshore installation
- [Examples Hygienic Digital Compression Load Cells with integrated lift-off protection](#)

Applications

Applications

- Outdoor silos
- Tank weighing
- Process weighing
- High shear mixers
- Big-bag equipment
- Filling and dosing
- Offshore
- Installations in seismic area
- Level measurement
- Platform scales
- Hopper scales
- Heavy duty applications
- Belt scales



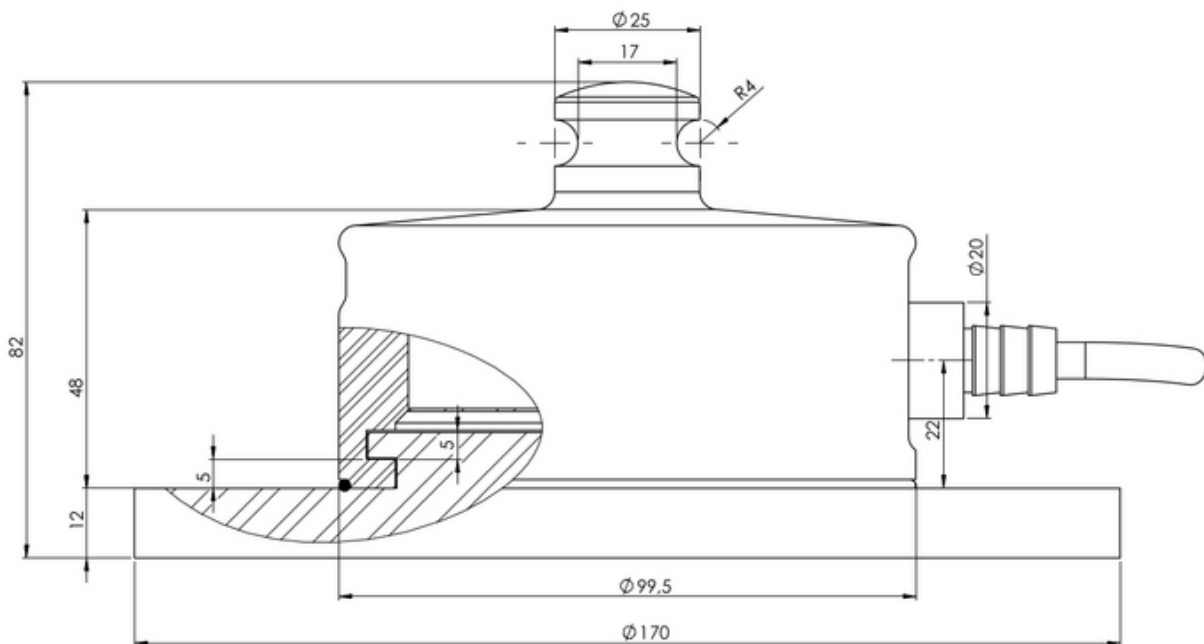
Specifications

Parameter	Unit	0.10%	0.05%	0.025% *
Rated capacity (E_{max})	kg	50, 100, 150, 250, 500, 1000, 1500, 2000, 3000, 4000, 5000		
Safe overload limit	% of E_{max}	200 to 500		
Safe sideload limit	% of E_{max}	300 to 1000		
Minimum dead load	% of E_{max}	0		
Accuracy	% of E_{max}	0.100	0.050	0.025
Repeatability	% of E_{max}	0.030	0.020	0.012
Hysteresis	% of E_{max}	0.055	0.040	0.020
Creep 30 min.	% of E_{max}	0.060	0.040	0.025
Temperature effect on zero	% /10°C	0.060	0.045	0.030
Temperature effect on sensitivity	% /10°C	0.060	0.045	0.030
Compensated temperature range	°C	-10 to 50		
Operating temperature range	°C	-50 to 70 (100*)		
Deflection at E_{max}	mm	max 0.10		
Measuring rate	Hz	500		
Supply	Vdc	24Vdc \pm 5%		
Internal resolution	Bit	24		
Material		Stainless Steel 17-4 PH and AISI 316		
Protection		IP68		
Cable		6meter standard coaxial RG-58 (\varnothing 6mm) with BNC connector		
Maximum cable length	m	100		
Weight	kg	4.0 **		
Output options		EtherNet/IP, PROFINET, EtherCAT, Profibus DP, Modbus TCP/IP, RS485/422, 4-20mA, 0-10Vdc		

* with Teflon cable

** including base plate

Dimensions (mm)



Options

- ATEX and IECEx (Zone 1, 2, 21, 22) version type DLC-Ex
- ATEX II 2G Ex ia IIC T6 Gb / ATEX II 2D Ex ia IIIC T85°C Db
- Standard base plate available
- Mounting top
- Customized top
- Tank leg (different dimensions)
- Load cell cable length 10, 20, 50 or 100meters
- Mud resistant and Halogen free cables for offshore installation
- Special PE load cell cable available for freezing low temperature (can be used down to -50 degrees Celsius)

- [Special Teflon load cell cable available for very high temperature \(can be used up to 100 degrees Celsius\)](#)

Documentation

- [Digital Compression Load Cell Type DLC DLC-Ex LOAD CELL ONLY Dimension PDF](#)
- [Digital Compression Load Cell Type DLC DLC-Ex LOAD CELL ONLY Dimension STEP \(Right click > Save link as\)](#)
- [ATEX Certificate SEV18 ATEX 0144 X \(ENGLISH\) PDF](#)
- [Dimensions Digital Compression Load Cell Type DLC/DLC-Ex with Ø170 base plate PDF](#)
- [Dimensions Digital Compression Load Cell Type DLC/DLC-Ex with Ø170 base plate STEP \(Right click > Save link as\)](#)
- [Dimensions DLC DLCex Ø170 base plate PDF](#)
- [Dimensions DLC DLCex Ø170 base plate STEP \(Right click > Save link as\)](#)
- [DLC DLCex load cell with Ø170 base plate and M36 tank leg PDF](#)
- [DLC DLCex load cell with Ø170 base plate and M36 tank leg STEP \(Right click > Save link as\)](#)
- [Guideline Correct Mounting of BNC Connector \(UK\) PDF](#)
- [VIDEO - Correct Mounting of BNC Connector \(UK\)](#)

Disclaimer and Legal Information: The information on this web site is provided in connection with products supplied by Eilersen Electric A/S and affiliated companies ("Eilersen"). No license, expressed or implied, to any intellectual property rights is granted by this information or any documents on the web site. Eilersen assumes no liability and disclaims any expressed or implied warranty, relating to sale and/or use of Eilersen products including liability or warranties relating to fitness for a particular purpose. The information on this web site is provided as a service and for information purpose only and is subject to change without prior notice. Eilersen assumes no responsibility or liability whatsoever for any errors or inaccuracies that may appear on this web site. Eilersen is not responsible for any loss of hardware, software or files, caused by the use of the web site or elements downloaded or used from/on the web site. Hence Eilersen makes no warranty, that the web site or product or services provided on the web site (including free software downloads) will meet your requirements or will be uninterrupted, timely, secure or without errors, or that the web site or the servers used by Eilersen are free of viruses or bugs or are fully functional or accurate.